

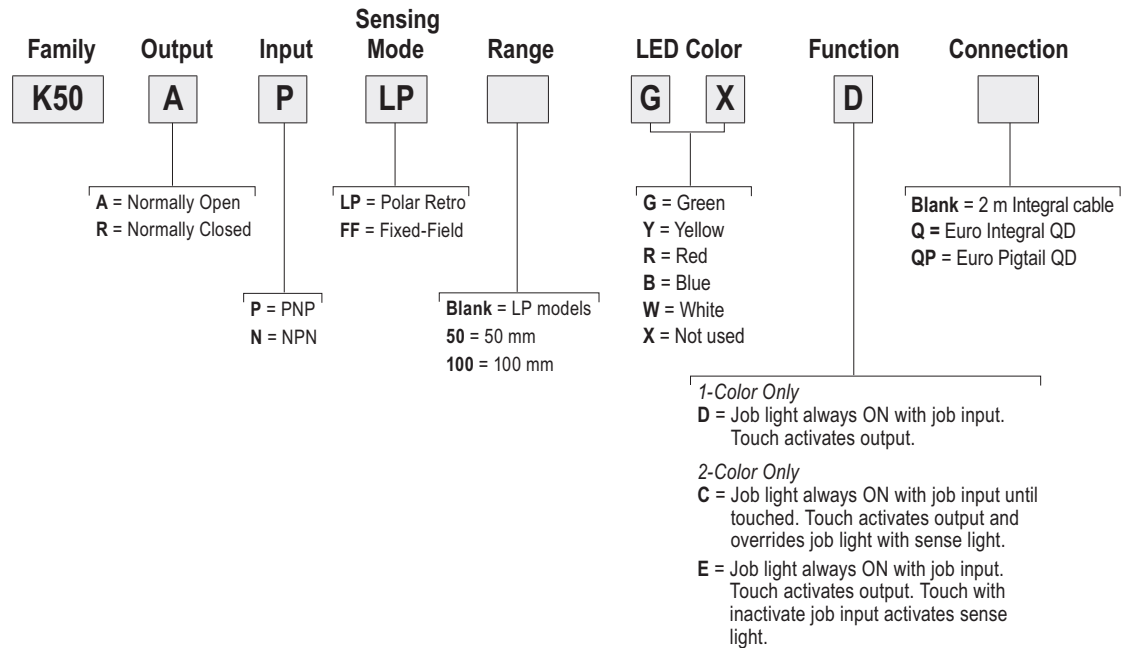


K50 Optical Pick-to-Light Sensor

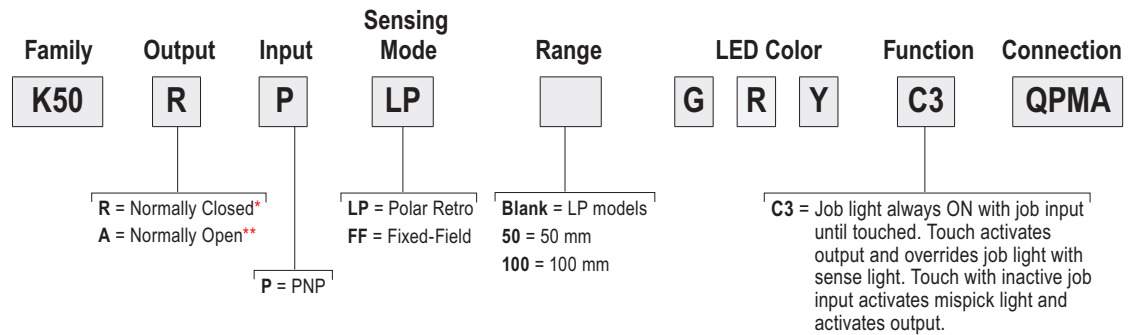
The K50FF and K50LP use reliable photoelectric sensing for non-contact part-picking applications.

- Photoelectric pick acknowledgment
- Fixed-field or polarized retroreflective depending on model
- Simple, one-piece, cost-effective installations
- Easily mounted on any type of tube rack or shelving
- Several logic functions available to customize the operation of the application and control system


K50 One Color Model Key, 12-30 V DC Example Model Number K50APLPGXD



K50 Three Color Model Key, 12-30 V DC Example Model Number K50RPLPGRYC3QPMA



* Polar Retro only available with Normally Closed input
** Fixed-Field only available with Normally Open input

 Connection options: A model with a QD requires a mating cordset (see page 641).

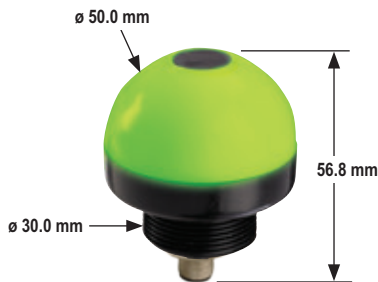
Cordsets

Euro QD (for Q5 models)

See page 908

Length	Straight		Right-Angle	
	4-Pin	5-Pin	4-Pin	5-Pin
1.83 m	MQDC-406	MQDC1-506	MQDC-406RA	MQDC1-506RA
4.57 m	MQDC-415	MQDC1-515	MQDC-415RA	MQDC1-515RA
9.14 m	MQDC-430	MQDC1-530	MQDC-430RA	MQDC1-530RA

Additional cordset information available. See page 904.



Brackets

K50

See page 869

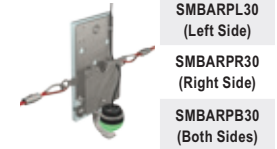
See page 869



Additional bracket information available. See page 846.

Andon Solutions

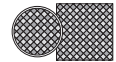
K50



Other Accessories

Reflectors

See page 940



K50 Specifications

Supply Voltage and Current	12 to 30 V dc, (10% max. ripple)
Supply Protection Circuitry	Protected against reverse polarity and transient voltages (fast transient and over-voltage) and reverse polarity
Output Configuration	PNP or NPN (depending on model)
Output Rating	150 mA max. C3 models: ON-state saturation voltage: PNP models: Less than 2 V @ 10 mA dc; less than 2.5 V @ 150 mA dc NPN models: Less than 1.5 V @ 10 mA dc; less than 2 V @ 150 mA dc OFF-state leakage current: Less than 10 μ A @ 30 V dc All others: OFF-state leakage current: Less than 10 μ A @ 30 V dc ON-state voltage: less than 2 V @ 10 mA dc; less than 2.5 V @ 150 mA dc
Output Protection Circuitry	Protected against false pulse on power-up and continuous overload or short circuit of output
Output Response Time	C3 models: 5 milliseconds ON/OFF All others: 3 milliseconds ON/OFF
Indicators	C3 models: Entire translucent dome provides indicator light. Job ("Pick") indicator —Green Pick Sensed indicator —Yellow Mispick indicator —Red All others: Entire translucent dome provides indicator light; either Job or Pick Sensed indicator inhibits the other light, depending on model. Job ("Pick") indicator —Green Pick Sensed indicator —Red or OFF, depending on model
Job Light Enable Input	Input impedance: 8000 Ω Sinking —Input low less than 1.5 V Sourcing —Input high greater than 7 V
Construction	Base and translucent dome: Polycarbonate Lens: Polycarbonate or acrylic Push Button: Thermoplastic
Environmental Rating	Fully encapsulated; IEC IP67 Integral QD models: IP69K when using IP69K-rated cordsets Pigtail and cable models: IP69K when mounted with conduit
Connections	C3 models: 5-pin 150 mm PUR pigtail Euro-style QD (QPMA). QD cordsets are ordered separately. All others: 2 m or 9 m 4-wire attached cable, 4-pin integral Euro-style QD (Q) or 4-pin 150 mm PVC pigtail Euro-style QD (QP), depending on model. QD cordsets are ordered separately.
Ambient Light Immunity	Up to 5,000 lux
EMI/RFI Immunity	Immunity to EMI and RFI noise sources per IEC 947-5-2
Operating Conditions	Temperature: -40° to +50° C Relative Humidity: 90% at 50° C (non-condensing)
Certifications	K30, K50 & K80: K50:
Hookup Diagrams	1- & 2-color models: LI01 (p. 1001) 3-color models: LI02 (p. 1001)